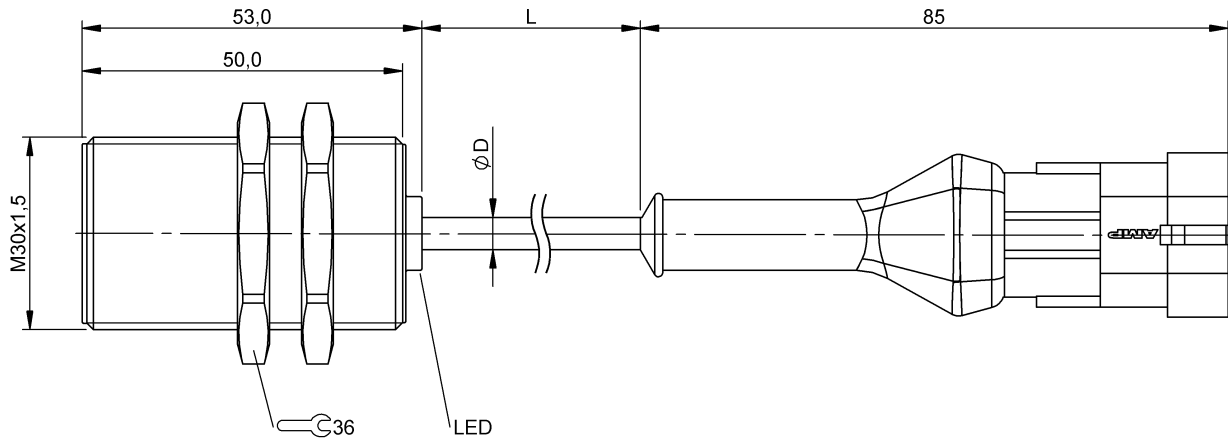


Inductive Sensors  
**BES M30MI-PSC15B-BP00,15-Z10**  
 Order Code: BES05YP

**BALLUFF**



**Basic features**

Approval/Conformity	CE UKCA cULus WEEE
Basic standard	IEC 60947-5-2
Trademark	Global

**Display/Operation**

Function indicator	yes
Power indicator	no

**Electrical connection**

Cable diameter D	4.60 mm
Cable length L	0.15 m
Conductor cross-section	0.34 mm <sup>2</sup>
Connection	AMP SUPERSEAL 3P, 3-pin
Connection type	Cable with connector, 0.15 m, TPU
Number of conductors	3
Polarity reversal protected	yes
Protection against device mix-ups	yes
Short-circuit protection	yes

**Electrical data**

Load capacitance max. at Ue	0.5 µF
Min. operating current I <sub>m</sub>	0 mA
No-load current I <sub>o</sub> max., damped	10 mA
No-load current I <sub>o</sub> max., undamped	5 mA
Operating voltage U <sub>b</sub>	10...30 VDC
Output resistance R <sub>a</sub>	33.0 kOhm + D
Protection class	II
Rated insulation voltage U <sub>i</sub>	250 V AC
Rated operating current I <sub>e</sub>	200 mA
Rated operating voltage U <sub>e</sub> DC	24 V
Rated short circuit current	100 A
Ready delay t <sub>v</sub> max.	15 ms
Residual current I <sub>r</sub> max.	10 µA
Ripple max. (% of U <sub>e</sub> )	15 %
Switching frequency	100 Hz
Utilization category	DC -13
Voltage drop static max.	2.5 V

**Environmental conditions**

Ambient temperature	-25...70 °C
Contamination scale	3
EN 60068-2-27, Shock	Half-sinus, 30 g <sub>n</sub> , 11 ms
EN 60068-2-6, Vibration	55 Hz, amplitude 1 mm, 3x30 min
IP rating	IP67

**Functional safety**

MTTF (40 °C)	640 a
--------------	-------

**Interface**

Switching output	PNP normally open (NO)
------------------	------------------------

Inductive Sensors  
**BES M30MI-PSC15B-BP00,15-Z10**  
**Order Code: BES05YP**



**Material**

Housing material	Brass, Nickel-free coated
Material jacket	TPU
Material sensing surface	PA 12

**Range/Distance**

Assured operating distance Sa	12.2 mm
Hysteresis H max. (% of Sr)	15.0 %
Rated operating distance Sn	15 mm
Real switching distance sr	15 mm
Repeat accuracy max. (% of Sr)	5.0 %
Switching distance marking	■ ■
Temperature drift max. (% of Sr)	10 %
Tolerance Sr	±10 %

**Mechanical data**

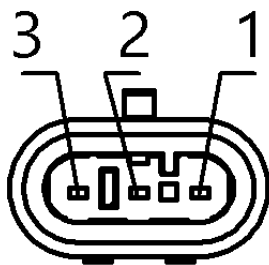
Dimension	Ø 30 x 53 mm
Installation	for flush mounting
Size	M30x1.5
Tightening torque	70 Nm

**Remarks**

The sensor is functional again after the overload has been eliminated.  
 Flush: See installation instructions for inductive sensors with extended range 825357.  
 For more information about MTTF and B10d see MTTF / B10d Certificate

Indication of the MTTF- / B10d value does not represent a binding composition and/or life expectancy assurance; these are simply experiential values with no warranty implications. These declared values also do not extend the expiration period for defect claims or affect it in any way.

**Connector Drawings**



**Wiring Diagrams**

